

**JIE**  
**DRIVE**



# JRWN

## WORM GEAR UNITS

### JRWN Series

Size: 30 -150

Ratio: 5 -100

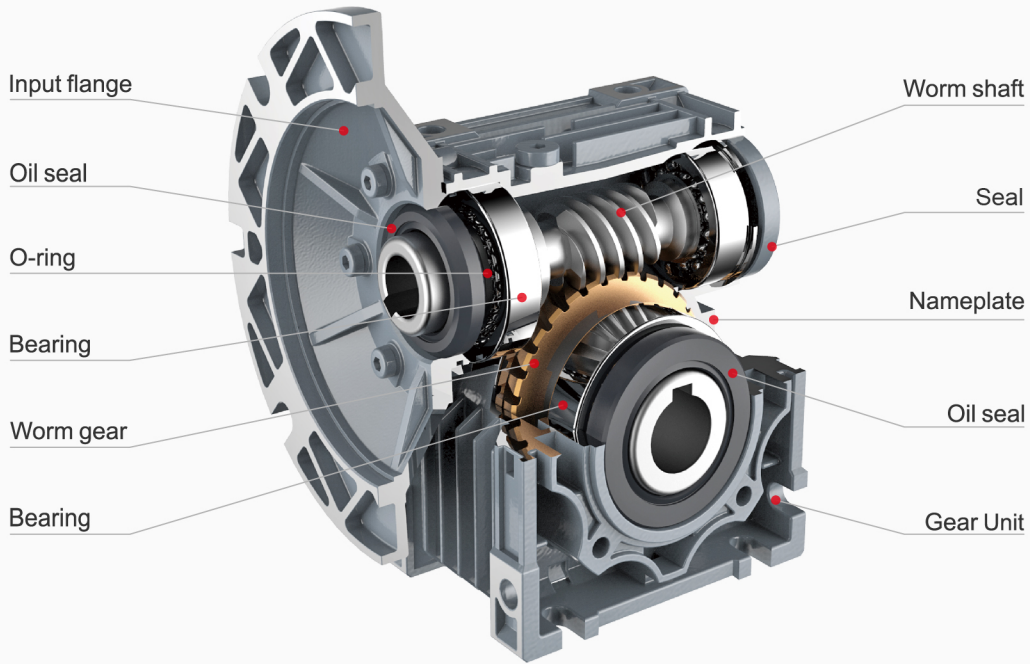
Input Power: 0.08 -20 HP

Output Torque: 23-15580 lb-in



Drawing Download

### Product Structure



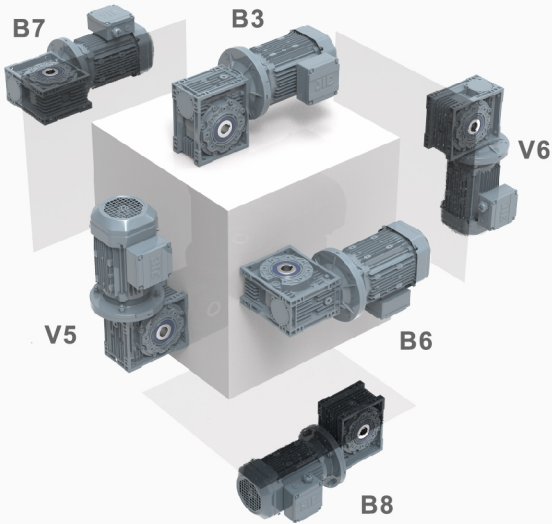
### Model Structure

**J** **RWN** **D** **110** - **100** **B<sub>8</sub>** - **U** - **AE** - **NEMA**

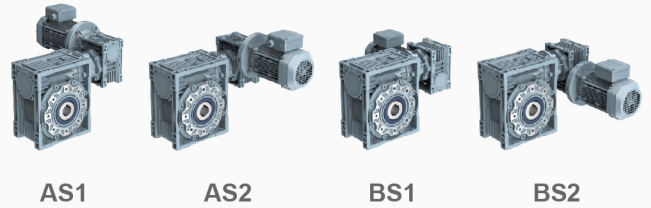
1 2 3 4 5 6 7 8 9

<p><b>1</b></p> <p><b>Brand Code</b> J-JIE</p>	<p><b>2</b></p> <p><b>Product Code</b> Shaft Input</p>	<p><b>3</b></p> <p><b>Model</b> Motor Flange Input  IEC (Servo Adapter Available)</p>	<p><b>4</b></p> <p><b>Size</b> Aluminum Housing 30,40,50,63,75,90,105 Cast Iron Housing 110,130,150</p>	<p><b>5</b></p> <p><b>Ratio</b> 5,7.5,10,15,20,25,30,40 50,60,80,100</p>
<p><b>6</b></p> <p><b>Mounting Positions</b> B3,B6,B7,B8 V5,V6</p>	<p><b>7</b></p> <p><b>Output Flange</b> Q / U (FA,FB,FC,FD,FE)</p>	<p><b>8</b></p> <p><b>Accessories</b> A-Single Output Shaft B-Double Output Shaft D-Protective Cover E-Torque Arm</p>	<p><b>9</b></p> <p><b>Input Flange</b> 48C,56C 140TC,180TC 210TC,250TC</p>	<p><b>Note:</b></p> <p>1.If you need motor, please note "with motor" and the model, power &amp; poles of the motor.</p> <p>2.Accessories are unassembled. You may assemble them according to your need.</p>

Mounting Positions



Single Reduction

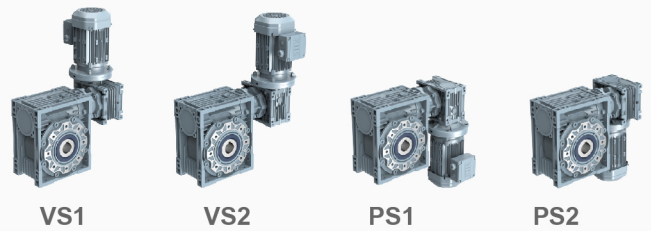


AS1

AS2

BS1

BS2



VS1

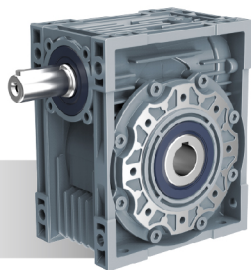
VS2

PS1

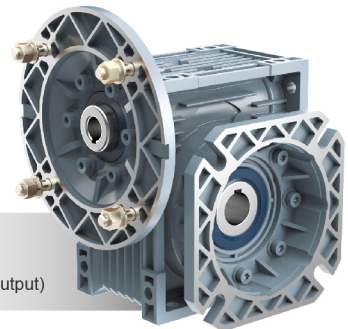
PS2

Double Reduction

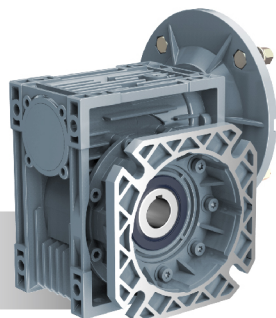
Typology



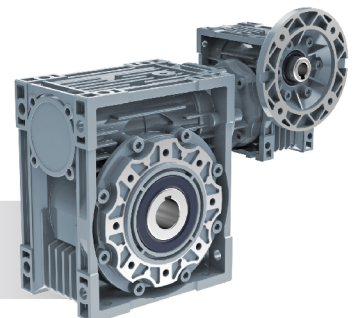
**JRWN**  
Shaft Input



**JRWND..-U**  
Flange Input (Flange Output)



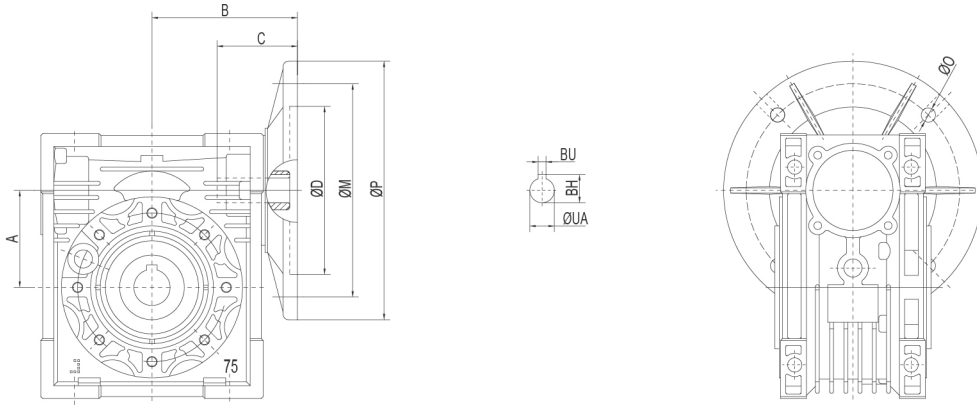
**JRWND..-Q**  
Flange Input (Flange Output)



**JRWNE**  
Double Reduction



## Dimensions

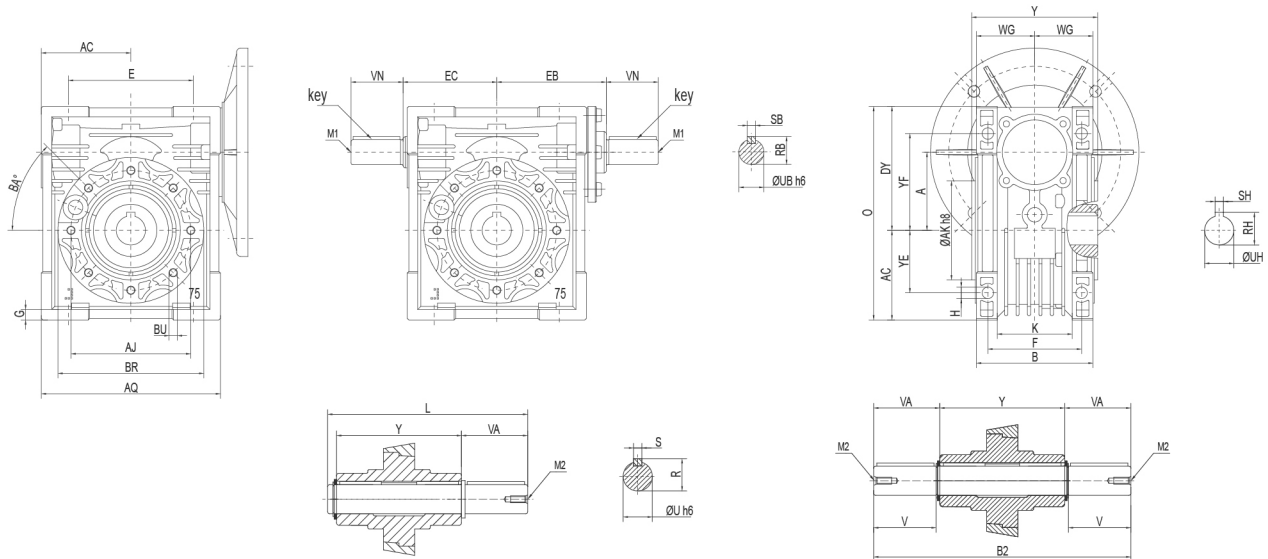


(Inch)

Center Distance	Input Flange	Flange Dimensions								UA The Hole Diameter Of Shaft												
										i - Ratio												
		A	D	M	P	B	C	O	BU	BH	7.5	10	15	20	25	30	40	50	60	80	100	
30	48C	3.00	3.75	5.625	2.64	1.81	0.32	0.125	0.56	0.50	0.50	0.50	0.50	0.50	0.50	0.50	0.50	0.50	0.50	0.50	–	
40	56C	4.50	5.88	6.50	3.15	2.17	0.41	0.1881	0.71	0.625	0.625	0.625	0.625	0.625	0.625	0.625	0.625	0.625	0.625	0.625	0.625	
50	56C	4.50	5.88	6.50	3.54	2.17	0.41	0.1881	0.71	0.625	0.625	0.625	0.625	0.625	0.625	0.625	0.625	0.625	0.625	0.625	0.625	
63	56C	4.50	5.88	6.50	4.13	2.17	0.41	0.1881	0.71	0.625	0.625	0.625	0.625	0.625	0.625	0.625	0.625	0.625	0.625	0.625	0.625	
	140TC				4.13	2.32			0.97	0.875	0.875	0.875	0.875	0.875	0.875	0.875	0.875	0.875	0.875	0.875	–	–
75	56C	4.5	5.88	6.50	4.96	2.17	0.41	0.1881	0.71	0.625	0.625	0.625	0.625	0.625	0.625	0.625	0.625	0.625	0.625	0.625	0.625	
	140TC				4.96	2.32			0.97	0.875	0.875	0.875	0.875	0.875	0.875	0.875	0.875	0.875	0.875	0.875	–	–
	180TC				8.5	7.25			9.00	4.96	2.99	0.55	0.250	1.24	1.125	1.125	1.125	1.125	–	–	–	–
90	56C	4.5	5.88	6.50	5.63	2.17	0.41	0.188	0.71	0.625	0.625	0.625	0.625	0.625	0.625	0.625	0.625	0.625	0.625	0.625	0.625	
	140TC				5.63	2.32			0.97	0.875	0.875	0.875	0.875	0.875	0.875	0.875	0.875	0.875	0.875	0.875	–	–
	180TC				8.5	7.25			9.00	5.63	2.99	0.55	0.250	1.24	1.125	1.125	1.125	1.125	1.125	1.125	1.125	–
110	140TC	4.5	5.88	6.50	6.81	2.32	0.41	0.1881	0.97	0.875	0.875	0.875	0.875	0.875	0.875	0.875	0.875	0.875	0.875	0.875	0.875	
	180TC	8.5	7.25	9.00	6.81	2.99	0.55	0.250	1.24	1.125	1.125	1.125	1.125	1.125	1.125	1.125	1.125	–	–	–	–	
	210TC				6.81	3.50			0.313	1.52	–	–	–	–	–	–	–	1.375	1.375	–	–	
130	140TC	4.5	5.88	6.50	7.60	2.32	0.41	0.1881	0.97	–	–	–	–	–	–	–	–	–	–	0.875	0.875	
	180TC	8.5	7.25	9.00	7.60	2.99	0.55	0.250	1.24	–	–	–	–	–	1.125	1.125	1.125	1.125	1.125	1.125	1.125	
	210TC				7.60	3.50			0.313	1.52	1.375	1.375	1.375	1.375	1.375	1.375	1.375	–	–	–	–	
150	180TC	8.5	7.25	9.00	8.46	2.99	0.55	0.250	1.24	–	–	–	–	–	1.125	1.125	1.125	1.125	1.125	1.125	1.125	
	210TC				8.46	3.50			0.313	1.52	1.375	1.375	1.375	1.375	1.375	1.375	1.375	1.375	–	–	–	–



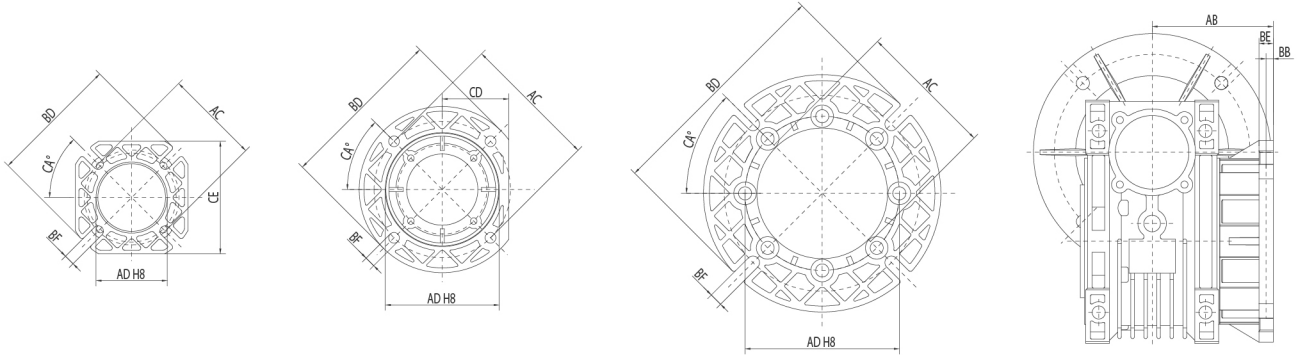
## Dimensions



(Inch)

Unit	30	40	50	63	75	90	110	130	150
A	1.18	1.57	1.97	2.48	2.95	3.54	4.33	5.12	5.91
AC	1.57	1.97	2.36	2.83	3.39	4.06	5.02	5.81	6.69
AJ	2.56	2.95	3.35	3.74	4.53	5.12	6.50	8.46	8.46
AK	2.165	2.362	2.756	3.150	3.740	4.331	5.118	7.087	7.087
AQ	3.15	3.94	4.72	5.67	6.77	8.11	9.92	11.50	13.39
B	2.20	2.80	3.35	4.06	4.41	5.12	5.67	6.10	7.28
BA	0°	45°	45°	45°	45°	45°	45°	45°	45°
BR	2.95	3.43	3.94	4.33	5.51	6.30	7.87	9.84	9.84
BU	M6×11(n.4)	M6×8(n.4)	M8×10(n.4)	M8×14(n.8)	M8×14(n.8)	M10×18(n.8)	M10×18(n.8)	M12×21(n.8)	M12×21(n.8)
DY	2.24	2.81	3.31	4.02	4.69	5.31	6.59	7.38	9.06
E	2.13	2.76	3.15	3.94	4.72	5.51	6.69	7.87	9.45
EB	1.97	2.40	2.91	3.54	4.13	4.92	5.59	6.38	7.68
EC	1.77	2.09	2.52	2.95	3.54	4.25	5.31	6.10	6.89
F	1.73	2.36	2.76	3.35	3.54	3.94	4.53	4.72	5.71
G	0.22	0.26	0.28	0.31	0.39	0.43	0.59	0.59	0.71
H	0.26	0.28	0.33	0.33	0.43	0.51	0.55	0.63	0.71
K	1.26	1.69	1.93	2.64	2.83	2.91	-	-	-
M1	-	1/4"-20	1/4"-20	1/4"-20	1/4"-20	1/4"-20	3/8"-16	1/2"-13	1/2"-13
O	3.82	4.78	5.67	6.85	8.07	9.37	11.61	13.19	15.75
RB	0.42	0.55	0.70	0.83	0.96	0.96	1.24	1.36	1.51
RH	0.71	0.84	1.11	1.24	1.37	1.52	1.80	1.92	2.22
SB	0.09375	0.125	0.1881	0.1881	0.1881	0.1881	0.25	0.25	0.3125
SH	0.1881	0.1881	0.25	0.25	0.25	0.3125	0.375	0.375	0.50
UB	0.375	0.50	0.625	0.75	0.875	0.875	1.125	1.25	1.375
UH	0.625	0.75	1.00	1.125	1.25	1.375	1.63	1.75	2.00
VN	1.18	1.18	1.57	1.97	2.36	2.36	2.76	3.15	3.15
WG	1.14	1.44	1.71	2.09	2.24	2.64	2.91	3.19	3.78
Y	2.48	3.07	3.62	4.41	4.72	5.51	6.10	6.69	7.87
YE	1.06	1.38	1.57	1.97	2.36	2.76	3.35	3.94	4.72
YF	1.73	2.17	2.52	3.15	3.66	4.02	4.92	5.51	7.09
Single/Double Output Shaft	30	40	50	63	75	90	110	130	150
B2	5.83	7.24	7.83	9.41	10.51	12.17	13.54	14.17	16.14
L	4.41	5.43	6.02	7.20	7.95	9.22	10.20	10.83	12.40
M2	1/4"-20	1/4"-20	3/8"-16	3/8"-16	1/2"-13	1/2"-13	5/8"-11	5/8"-11	3/5"-10
R	0.70	0.83	1.11	1.23	1.36	1.51	1.79	1.92	2.22
S	0.1881	0.1881	0.250	0.250	0.250	0.3125	0.375	0.375	0.50
U	0.625	0.75	1.00	1.125	1.25	1.375	1.63	1.75	2.00
V	1.57	1.97	1.97	2.36	2.76	3.15	3.54	3.54	3.94
VA	1.67	2.09	2.11	2.50	2.89	3.33	3.72	3.74	4.13

## Dimensions



(Inch)

Flange		25	30	40	50	63	75	90	110	130	150
FA	AB	1.77	2.15	2.64	3.54	3.23	4.37	4.37	5.16	5.51	6.10
	AC	2.17	2.68	3.15	3.35	5.91	6.50	6.89	9.06	10.04	10.04
	AD	1.57	1.97	2.36	2.76	4.53	5.12	5.98	6.69	7.09	7.09
	BB	0.12	0.16	0.16	0.20	0.24	0.24	0.24	0.24	0.24	0.28
	BD	2.95	3.15	4.33	4.92	7.09	7.87	8.27	11.02	12.60	12.60
	BE	0.24	0.24	0.28	0.35	0.39	0.51	0.51	0.59	0.59	0.59
	BF	0.26(n.4)	0.26(n.4)	0.35(n.4)	0.43(n.4)	0.43(n.4)	0.55(n.4)	0.55(n.4)	φ0.55(n.4)	φ0.63(n.4)	φ0.63(n.4)
	CA	45°	45°	45°	45°	45°	45°	45°	45°	22.5°	22.5°
	CE	2.76	2.76	3.74	4.33	5.59	6.69	7.87	10.24	11.42	11.42
FB	AB	-	-	3.82	4.72	4.41	3.58	4.80	7.09	-	-
	AC	-	-	3.15	3.35	5.91	5.12	8.46	9.06	-	-
	AD	-	-	2.36	2.76	4.53	4.33	7.09	6.69	-	-
	BB	-	-	0.16	0.20	0.24	0.24	0.24	0.24	-	-
	BD	-	-	4.33	4.92	7.09	6.30	9.84	11.02	-	-
	BE	-	-	0.28	0.35	0.39	0.51	0.71	0.59	-	-
	BF	-	-	0.35(n.4)	0.43(n.4)	0.43(n.4)	0.55(n.4)	0.55(n.4)	φ0.55(n.4)	-	-
	CA	-	-	45°	45°	45°	45°	45°	45°	-	-
	CE	-	-	3.74	4.33	5.59	-	-	10.24	-	-
FC	AB	-	-	3.17	3.50	3.90	-	4.33	-	-	-
	AC	-	-	4.53	5.12	6.50	-	6.50	-	-	-
	AD	-	-	3.74	4.33	5.12	-	5.12	-	-	-
	BB	-	-	0.20	0.20	0.20	-	0.24	-	-	-
	BD	-	-	5.51	6.30	7.87	-	7.87	-	-	-
	BE	-	-	0.37	0.37	0.43	-	0.67	-	-	-
	BF	-	-	0.35(n.4)	0.43(n.4)	0.43(n.4)	-	0.55(n.4)	-	-	-
	CA	-	-	45°	45°	45°	-	45°	-	-	-
	CE	-	-	5.51	6.30	7.87	-	-	-	-	-
FD	AB	-	-	2.28	2.83	4.21	-	5.94	-	-	-
	AC	-	-	3.94	4.53	6.50	-	6.89	-	-	-
	AD	-	-	3.15	3.74	5.12	-	5.98	-	-	-
	BB	-	-	0.20	0.20	0.20	-	0.24	-	-	-
	BD	-	-	4.72	5.51	7.87	-	8.27	-	-	-
	BE	-	-	0.51	0.59	0.43	-	0.51	-	-	-
	BF	-	-	0.35(n.4)	0.43(n.4)	0.43(n.4)	-	0.55(n.4)	-	-	-
	CA	-	-	45°	45°	45°	-	45°	-	-	-
	CE	-	-	-	-	-	-	7.87	-	-	-
FE	AB	-	-	-	-	3.15	-	-	-	-	-
	AC	-	-	-	-	5.12	-	-	-	-	-
	AD	-	-	-	-	4.53	-	-	-	-	-
	BB	-	-	-	-	0.24	-	-	-	-	-
	BD	-	-	-	-	6.30	-	-	-	-	-
	BE	-	-	-	-	0.65	-	-	-	-	-
	BF	-	-	-	-	11(n.4)	-	-	-	-	-
	CA	-	-	-	-	45°	-	-	-	-	-
	CE	-	-	-	-	6.30	-	-	-	-	-

## Accessories



**..-A**

Single Output Shaft



**..-B**

Double Output Shaft



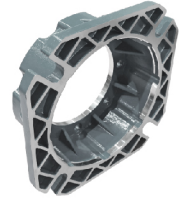
**..-D**

Protective Cover



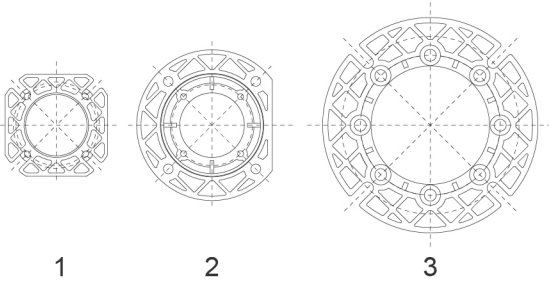
**..-E**

Torque Arm



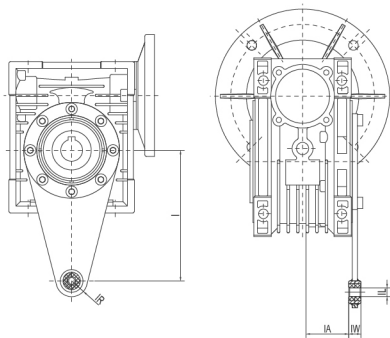
**..-Q/U**

Output Flange



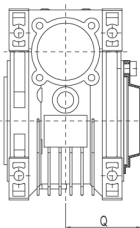
### Output Flange Types

	30	40	50	63	75	90	110	130	150
FA	1	1	1	1	1	1	1	1	1
FB	-	1	1	1	3	2	1	-	-
FC	-	2	2	2	-	3	-	-	-
FD	-	2	2	2	-	1	-	-	-
FE	-	-	-	3	-	-	-	-	-



### Torque Arm

	30	40	50	63	75	90	110	130	150
I	3.35	3.94	3.94	5.91	7.87	7.87	9.84	9.84	9.84
IA	0.94	1.24	1.52	1.93	1.87	2.26	2.44	2.72	3.31
IL	0.31	0.39	0.39	0.39	0.79	0.79	0.98	0.98	0.98
IR	0.59	0.71	0.71	0.71	1.18	1.18	1.38	1.38	1.38
IW	0.55	0.55	0.55	0.55	0.98	0.98	1.18	1.18	1.18



### Protective Cover

	30	40	50	63	75	90	110	130	150
Q	1.65	1.97	2.28	2.72	2.91	3.39	3.70	4.02	4.61



## Technical Specifications

**Single Reduction** (Flange Input, Input Speed is 1750r/min / 4 pole motor)

Motor HP	Output Speed r/min	Output Torque In-lbs	Ratio i	Output Radial Force In-lbs	fs	Model Code	Motor HP	Output Speed r/min	Output Torque In-lbs	Ratio i	Output Radial Force In-lbs	fs	Model Code	
0.08	233	23	7.5	112	4.2	JRWND 25	0.16	22	301	80	650	1	JRWND 40	
	175	30	10	124	3.5			18	336	100	700	0.8		
	117	43	15	142	2.5			29	257	60	812	2.3	JRWND 50	
	88	54	20	155	2			22	310	80	893	1.9		
	58	73	30	178	1.6			18	354	100	963	1.4		
	44	88	40	196	1.3			JRWND 30	233	69	7.5	153	2.3	JRWND 30
	35	106	50	211	0.9				175	88	10	169	1.8	
	29	124	60	225	0.7	117	124		15	193	1.3			
	233	23	7.5	153	6.9	88	159		20	211	1			
	175	30	10	169	5.4	70	186		25	229	1			
	117	42	15	193	3.8	58	212		30	243	0.8			
	88	53	20	211	3	88	168		20	409	2			
	70	62	25	229	3	JRWND 40	70	204	25	441	1.7	JRWND 40		
	58	71	30	243	2.5		58	230	30	468	1.7			
44	86	40	268	1.9	44		283	40	515	1.3				
35	97	50	288	1.5	35		336	50	556	1				
29	115	60	306	1.3	29		381	60	592	0.8				
22	124	80	337	0.9	44		283	40	709	2.3				
233	35	7.5	112	2.8	JRWND 50		35	345	50	763	1.9		JRWND 50	
175	45	10	124	2.4		29	381	60	812	1.6				
117	65	15	142	1.6		22	460	80	893	1.2				
88	81	20	155	1.3		18	531	100	963	0.9				
58	106	30	178	1.1		0.25	233	97	7.5	295	3.6	JRWND 40		
44	133	40	196	0.9			175	124	10	324	2.8			
233	35	7.5	153	4.6			117	186	15	371	1.9			
175	44	10	169	3.6	88		239	20	409	1.5				
117	63	15	193	2.5	70		283	25	441	1.2				
88	80	20	211	2	58		319	30	468	1.3				
70	88	25	229	2	44		389	40	515	0.9				
58	106	30	243	1.7	0.33	35	327	50	556	0.8	JRWND 50			
44	124	40	268	1.2		88	230	20	562	2.7				
35	150	50	288	1		70	283	25	605	2.2				
29	168	60	306	0.9		58	327	30	643	2.3				
35	168	50	556	2		44	407	40	709	1.7				
29	186	60	592	1.7		35	478	50	763	1.4				
22	230	80	650	1.3		29	531	60	812	1.1				
18	257	100	700	1	0.50	22	637	80	893	0.9	JRWND 63			
233	46	7.5	153	3.4		35	496	50	999	2.4				
175	59	10	169	2.7		29	558	60	1060	2				
117	84	15	193	1.9		22	690	80	1168	1.6				
88	106	20	211	1.5		18	770	100	1258	1.4				
70	124	25	229	1.5		233	142	7.5	295	2.4		JRWND 40		
58	142	30	243	1.3		175	186	10	324	1.9				
44	168	40	268	0.9	117	274	15	371	1.3					
35	204	50	288	0.8	88	345	20	409	1					
58	152	30	468	2.6	70	416	25	441	0.8					
44	186	40	515	1.9	58	469	30	468	0.8					
35	221	50	556	1.5	175	186	10	445	3.3	JRWND 50				
29	248	60	592	1.3	117	274	15	511	2.4					

## Technical Specifications

**Single Reduction** (Flange Input, Input Speed is 1750r/min / 4 pole motor)

Motor HP	Output Speed r/min	Output Torque In-lbs	Ratio i	Output Radial Force In-lbs	fs	Model Code	Motor HP	Output Speed r/min	Output Torque In-lbs	Ratio i	Output Radial Force In-lbs	fs	Model Code
0.50	88	354	20	562	1.8	JRWND 50	1.5	117	841	15	787	2.1	JRWND 75
	70	425	25	605	1.5			88	1088	20	868	1.7	
	58	487	30	643	1.5			70	1327	25	936	1.3	
	44	602	40	709	1.1			58	1513	30	994	1.3	
	35	708	50	763	0.9			44	1912	40	1093	1	
	29	788	60	812	0.8	35		2336	50	1035	0.9	JRWND 90	
	44	619	40	927	2.1	29		1973	60	1100	0.8		
	35	735	50	999	1.6	44		1991	40	1210	1.6		
	29	832	60	1060	1.4	35		2389	50	1303	1.3		
	22	1018	80	1168	1.1	29		2752	60	1386	1		
18	1142	100	1258	0.9	22	2903	80	1388	0.9	JRWND 110			
233	221	7.5	405	2.9	35	2487	50	1647	2.3				
175	283	10	445	2.2	29	2867	60	1750	1.9				
117	407	15	511	1.6	22	3558	80	1928	1.3				
88	522	20	562	1.2	18	4186	100	2077	1				
0.75	70	628	25	605	1	2	233	593	7.5	529	1.9	JRWND 63	
	58	717	30	643	1		175	788	10	583	1.5		
	44	708	40	709	0.9		117	1124	15	668	1.1		
	88	531	20	736	2.2		88	1469	20	736	0.8		
	70	646	25	792	1.8		175	796	10	688	2.2		
	58	735	30	841	1.9		117	1150	15	787	1.5	JRWND 75	
	44	929	40	927	1.4		88	1487	20	868	1.3		
	35	1097	50	999	1.1		70	1814	25	936	1		
	29	1239	60	1060	0.9		58	2062	30	994	1		
	233	301	7.5	405	2.1		88	1513	20	961	2.1		JRWND 90
175	389	10	445	1.6	70	1858	25	1035	1.6				
117	558	15	511	1.2	58	2115	30	1100	1.7				
88	717	20	562	0.9	44	2717	40	1210	1.2				
117	558	15	668	2.2	35	3257	50	1303	0.9				
1	88	735	20	736	1.6	3	29	3752	60	1386	0.8	JRWND 110	
	70	885	25	792	1.3		44	2823	40	1530	2.2		
	58	1009	30	841	1.4		35	3398	50	1647	1.7		
	44	1265	40	927	1		29	3912	60	1750	1.4		
	70	903	25	936	2		22	4850	80	1928	0.9		
	58	1035	30	994	2		233	885	7.5	625	1.8	JRWND 75	
	44	1301	40	1093	1.5		175	1168	10	688	1.5		
	35	1566	50	1179	1.2		117	1690	15	787	1		
	29	1770	60	1251	1		88	2124	20	760	0.9		
	35	1628	50	1303	1.8		58	2381	30	875	0.8		
29	1876	60	1386	1.5	233	894	7.5	693	2.9	JRWND 90			
22	2283	80	1525	1.1	175	1186	10	763	2.3				
18	2673	100	1642	0.9	117	1717	15	873	1.9				
233	434	7.5	529	2.6	88	2230	20	961	1.4				
175	575	10	583	2	70	2726	25	1035	1.1				
1.5	117	823	15	668	1.5	JRWND 63	58	3106	30	1100	1.2		
	88	1080	20	736	1.1		44	3832	40	1102	1		
	70	1292	25	792	0.9		35	3478	50	1188	0.9		
	58	1478	30	841	1		88	2257	20	1213	2.5		
	44	1460	40	808	0.9		70	2788	25	1307	2.2		

## Technical Specifications

**Single Reduction** (Flange Input, Input Speed is 1750r/min / 4 pole motor)

Motor HP	Output Speed r/min	Output Torque In-lbs	Ratio i	Output Radial Force In-lbs	fs	Model Code	Motor HP	Output Speed r/min	Output Torque In-lbs	Ratio i	Output Radial Force In-lbs	fs	Model Code						
3	58	3150	30	1390	2	JRWND 110	5	70	5071	25	1710	1.6	JRWND 130						
	44	4142	40	1530	1.5			58	5796	30	1818	1.6							
	35	4982	50	1647	1.2			44	7531	40	2000	1.2							
	29	5735	60	1750	1			35	9053	50	2155	1							
	44	4142	40	2000	2.2	JRWND 130		29	10434	60	2290	0.8	JRWND 150						
	35	4982	50	2155	1.7			35	9168	50	2947	1.4							
	29	5735	60	2290	1.4			29	10575	60	3132	1.1							
	22	7221	80	2522	1			22	13133	80	3447	0.8							
	18	7690	100	2389	0.8	JRWND 150		233	2239	7.5	875	2.2	JRWND 110						
	35	5044	50	2947	2.5			175	2956	10	963	1.8							
	29	5814	60	3132	1.9			117	4283	15	1102	1.4							
	22	7221	80	3447	1.4			88	5646	20	1213	1							
18	8496	100	3712	1	JRWND 75	70	6292	25	1159	0.9	7.5	70	6292	25	1159	0.9	JRWND 130		
233	1204	7.5	625	1.4		175	2947	10	1260	2.5									
175	1593	10	688	1.1		117	4336	15	1442	1.9									
117	2310	15	787	0.8		88	5708	20	1588	1.4									
233	1221	7.5	693	2.1		JRWND 90	70	6973	25	1710		1.2							
175	1611	10	763	1.7			58	7965	30	1818		1.2							
117	2336	15	873	1.4			44	10363	40	2000		0.9							
88	3044	20	961	1			35	9761	50	1915		0.8							
70	3717	25	1035	0.8		JRWND 110	88	5708	20	2171		2	10	88	5708	20		2171	2
58	4239	30	1100	0.9			70	6973	25	2340		1.5							
117	2336	15	1102	2.5			58	8265	30	2486		1.3							
88	3080	20	1213	1.9			44	10363	40	2736		1.3							
70	3805	25	1307	1.6	JRWND 130		35	12619	50	2947	1								
58	4292	30	1390	1.5			29	14540	60	3132	0.8								
44	5646	40	1530	1.1			233	3053	7.5	875	1.6								
35	6788	50	1647	0.9			175	4027	10	963	1.3								
70	3796	25	1710	2.2	JRWND 130		117	5841	15	1102	1								
58	4345	30	1818	2.1			233	3088	7.5	1145	2.1								
44	5646	40	2000	1.6			175	4027	10	1260	1.8								
35	6788	50	2155	1.3			117	5912	15	1442	1.4								
29	7823	60	2290	1		JRWND 150	88	7788	20	1588	1								
22	9850	80	2522	0.8			70	9504	25	1710	0.9								
35	6876	50	2947	1.8			58	10867	30	1818	0.8								
29	7929	60	3132	1.4			44	14124	40	2000	0.7								
22	9850	80	3447	1		JRWND 75	88	7788	20	2171	1.5	15	88	7788	20	2171	1.5		
18	11593	100	3712	0.8			70	9504	25	2340	1.1								
233	1611	7.5	549	1			JRWND 90	58	11274	30	2486		0.9						
175	2124	10	688	0.8				44	14124	40	2736		1						
233	1628	7.5	693	1.6	233			4531	7.5	1566	2.3								
175	2150	10	763	1.3	175			5973	10	1723	1.8								
117	3115	15	873	1	JRWND 110		117	8761	15	1973	1.3								
88	4053	20	961	0.8			88	11425	20	2171	1								
175	2142	10	963	2.5			70	13947	25	2340	0.8								
117	3115	15	1102	1.9			233	6177	7.5	1566	1.7								
88	4106	20	1213	1.4	JRWND 150		175	8150	10	1723	1.3								
70	5071	25	1307	1.2			117	11956	15	1973	0.9								
58	5726	30	1390	1.1		88	15575	20	2171	0.7									



## Technical Specifications

**Double Reduction** (Flange Input, Input Speed is 1750r/min / 4 pole motor)

Motor HP	Output Speed r/min	Output Torque In-lbs	General Ratio i	High Speed Ratio i1	Low Speed Ratio i2	Output Radial Force In-lbs	fs	Model Code	
0.08	14	221	100	10	10	364	1.3	JRWNED 25/30	
	9.3	283	150	10	15	412	0.9		
	7	363	200	10	20	412	0.7		
	5.6	389	250	10	25	412	0.8		
	4.7	522	300	10	30	785	1.2		
	3.5	628	400	10	40	785	0.9		
	2.8	726	500	20	25	785	0.7		
	2.3	894	600	20	30	785	0.6		
	1.9	1027	750	25	30	785	0.5	JRWNED 25/40	
	1.6	1265	900	30	30	785	0.5		
	1.2	1513	1200	30	40	785	0.4		
	0.9	1743	1500	50	30	785	0.3		
	0.78	1920	1800	60	30	785	0.3		
	0.6	2372	2400	60	40	785	0.2		
	0.5	2867	3000	60	50	785	0.2		
	0.4	2602	4000	50	80	785	0.1		
	0.3	3150	5000	50	100	785	0.1		
	4.7	504	300	10	30	785	1.3		JRWNED 30/40
	3.5	619	400	10	40	785	0.9		
	2.8	850	500	20	25	785	0.6		
	2.3	920	600	20	30	785	0.7		
	1.9	1071	750	25	30	785	0.6		
	1.6	1230	900	30	30	785	0.5		
	1.2	1469	1200	30	40	785	0.4		
	0.9	1735	1500	50	30	785	0.4		
	0.78	1929	1800	60	30	785	0.3		
	0.58	2310	2400	60	40	785	0.2		
	0.4	2655	3000	80	40	785	0.2	JRWNED 30/50	
0.4	2469	4000	50	80	785	0.1			
0.28	2991	5000	50	100	785	0.1			
1.6	1248	900	30	30	1089	1.0			
1.2	1496	1200	30	40	1089	0.7			
0.93	1761	1500	50	30	1089	0.7			
0.78	1965	1800	60	30	1089	0.7			
0.6	2354	2400	60	40	1089	0.5			
0.5	2717	3000	60	50	1089	0.4			
0.35	2549	4000	50	80	1089	0.3			
0.29	2752	4800	60	80	1089	0.3	JRWNED 30/63		
0.9	1796	1500	30	50	1411	1.1			
0.78	1991	1800	30	60	1411	0.9			
0.58	2442	2400	60	40	1411	0.8			
0.47	2823	3000	60	50	1411	0.7			
0.35	2708	4000	50	80	1411	0.6			
0.28	3186	5000	50	100	1411	0.4			
0.12	0.6	2920	2400	60	40	1660		1.1	JRWNED 40/75
	0.47	3336	3000	60	50	1660		0.8	
	0.35	3142	4000	50	80	1660		0.7	
	0.28	3708	5000	50	100	1660	0.5		
	0.5	3584	3000	60	50	1840	1.4	JRWNED 40/90	
	0.35	3230	4000	50	80	1840	1.3		
	0.28	3814	5000	50	100	1840	1.0		
	14	327	100	10	10	364	0.8		
	9.3	434	150	10	15	412	0.6		
	7	549	200	10	20	412	0.5		
	5.6	584	250	10	25	412	0.5		
	4.7	664	300	10	30	412	0.4		
	3.5	947	400	10	40	412	0.3		
	2.8	1018	500	20	25	412	0.2		
	2.3	1195	600	20	30	412	0.2		
	1.9	1336	750	25	30	412	0.2		
	1.6	1575	900	30	30	412	0.2		
	1.2	1876	1200	30	40	412	0.1	JRWNED 30/40	
	0.9	2186	1500	50	30	412	0.1		
	0.78	2690	1800	60	30	412	0.1		
	0.58	3009	2400	60	40	412	0.1		
	0.47	3584	3000	60	50	412	0.1		
	4.7	779	300	10	30	785	0.8		JRWNED 30/50
	3.5	947	400	10	40	1089	1.2		
	2.8	1088	500	10	50	1089	1.0		
	2.3	1407	600	20	30	1089	0.9		
	1.9	1637	750	25	30	1089	0.8		
	1.6	1876	900	30	30	1089	0.7		
1.6	1770	900	15	60	1411	1.0	JRWNED 30/63		
1.2	2327	1200	30	40	1411	0.9			
0.93	2699	1500	30	50	1411	0.7			
0.9	3177	1500	50	30	1660	1.1			
0.78	3575	1800	60	30	1660	1.0			
0.58	4389	2400	60	40	1660	0.7			
0.5	5381	3000	60	50	1840	0.9		JRWNED 40/90	
0.35	4850	4000	50	80	1840	0.8			
4.7	1044	300	10	30	1089	1.2			JRWNED 30/50
3.5	1257	400	10	40	1089	0.9			
2.8	1451	500	10	50	1089	0.7			
2.8	1513	500	10	50	1411	1.3			
2.3	1841	600	15	40	1411	1.1	JRWNED 30/63		
1.9	2133	750	15	50	1411	0.9			
1.6	2867	900	30	30	1660	1.2			
1.2	3531	1200	30	40	1660	0.9			

## Technical Specifications

**Double Reduction (Flange Input, Input Speed is 1750r/min / 4 pole motor)**

Motor HP	Output Speed r/min	Output Torque In-lbs	General Ratio i	High Speed Ratio i1	Low Speed Ratio i2	Output Radial Force In-lbs	fs	Model Code
0.16	0.78	4832	1800	30	60	1840	0.9	JRWNEED 40/90
	0.58	6150	2400	60	40	1840	0.9	
	0.5	7814	3000	60	50	2322	1.2	
	0.35	6938	4000	50	80	2322	1.0	JRWNEED 50/110
	0.28	8212	5000	50	100	2322	0.8	
0.25	3.5	1956	400	10	40	1411	1.0	JRWNEED 30/63
	2.8	2274	500	10	50	1411	0.8	
	2.3	3204	600	20	30	1660	1.1	
	1.9	3850	750	25	30	1660	0.9	JRWNEED 40/75
	1.6	4310	900	30	30	1660	0.8	
	1.2	5566	1200	30	40	1840	1.0	JRWNEED 40/90
	0.93	6504	1500	30	50	1840	0.8	
	0.78	7611	1800	60	30	2322	1.5	JRWNEED 50/110
0.33	0.58	9850	2400	60	40	2322	1.1	
	3.5	2973	400	10	40	1660	1.1	JRWNEED 40/75
	2.8	3398	500	10	50	1660	0.8	
	2.3	4522	600	15	40	1840	1.2	
	1.9	5292	750	15	50	1840	0.9	JRWNEED 40/90
	1.6	5903	900	15	60	1840	0.8	
	1.2	8345	1200	30	40	2322	1.3	
	0.93	9416	1500	50	30	2322	1.2	JRWNEED 50/110
	0.78	10575	1800	60	30	2322	1.1	
	0.6	14372	2400	60	40	3037	1.0	
	0.47	17124	3000	60	50	3037	0.8	JRWNEED 63/130
	0.35	18106	4000	50	80	3037	0.6	
	0.28	21504	5000	50	100	3037	0.5	
0.5	0.78	10611	1800	60	30	4050	1.8	
	0.6	12796	2400	60	40	4050	1.8	
	0.5	15159	3000	60	50	4050	1.4	JRWNEED 63/150
	0.4	17929	4000	50	80	4050	0.9	
	0.3	19920	5000	50	100	4050	0.7	
	4.7	3584	300	10	30	1660	1.0	JRWNEED 40/75
	3.5	4407	400	10	40	1660	0.7	
	4.7	3549	300	7.5	40	1840	1.5	
	3.5	4628	400	10	40	1840	1.2	JRWNEED 40/90
	2.8	5407	500	10	50	1840	0.9	
	2.3	6699	600	15	40	1840	0.8	
	1.9	8398	750	25	30	2322	1.3	
	1.6	9549	900	30	30	2322	1.2	JRWNEED 50/110
	1.2	12354	1200	30	40	2322	0.8	
	0.9	14814	1500	50	30	3037	1.1	JRWNEED 63/130
0.78	16699	1800	60	30	3037	0.9		
0.78	15699	1800	60	30	4050	1.2	JRWNEED 63/150	
0.6	18947	2400	60	40	4050	1.2		
0.5	0.5	22434	3000	60	50	4050	0.9	JRWNEED 63/150
	4.7	5646	300	10	30	2322	2.0	
	3.5	7310	400	10	40	2322	1.4	
	2.8	8708	500	10	50	2322	1.1	JRWNEED 50/110
	2.3	10451	600	15	40	2322	1.0	
	1.9	12487	750	25	30	2322	0.9	
	2.8	8805	500	10	50	3037	1.6	
	1.9	13018	750	25	30	3037	1.2	JRWNEED 63/130
	1.2	18867	1200	30	40	3037	0.8	
	0.78	23336	1800	60	30	4050	0.8	JRWNEED 63/150
	0.6	28159	2400	60	40	4050	0.8	
	4.7	7708	300	10	30	2322	1.5	JRWNEED 50/110
	3.5	9965	400	10	40	2322	1.1	
	2.8	12009	500	10	50	3037	1.1	
	2.3	14434	600	15	40	3037	1.0	JRWNEED 63/130
	1.9	17743	750	25	30	3037	0.9	
	1.6	20204	900	30	30	3037	0.8	
	2.8	11416	500	10	50	4050	1.8	
	2.3	13531	600	15	40	4050	1.7	
	1.9	15779	750	25	30	4050	1.3	JRWNEED 63/150
1.6	19602	900	30	30	4050	0.9		
1.2	23717	1200	30	40	4050	1.0		
4.7	11611	300	10	30	3037	1.3		
3.5	14788	400	10	40	3037	1.0	JRWNEED 63/130	
2.8	17619	500	10	50	3037	0.8		
9.3	6655	150	10	15	4050	3.1		
7	8549	200	10	20	4050	2.4		
5.6	10398	250	10	25	4050	1.7		
4.7	12071	300	10	30	4050	1.7	JRWNEED 63/150	
3.5	14327	400	10	40	4050	1.6		
2.8	16752	500	10	50	4050	1.2		
2.3	19841	600	15	40	4050	1.2		
1.9	23150	750	25	30	4050	0.9		
4.7	15832	300	10	30	3037	1.0	JRWNEED 63/130	
3.5	20168	400	10	40	3037	0.7		
9.3	9080	150	10	15	4050	2.3		
7	11655	200	10	20	4050	1.8		
5.6	14177	250	10	25	4050	1.3	JRWNEED 63/150	
4.7	16460	300	10	30	4050	1.3		
3.5	19540	400	10	40	4050	1.2		
2.8	22850	500	10	50	4050	0.9		
2.3	27053	600	15	40	4050	0.9		

## Technical Specifications

**Single Reduction (Flange Input, Input Speed is 1700r/min / 4 pole motor)**

Model Code	Input Power HP	Output Speed r/min	Output Torque In-lbs	Ratio i	Output Radial Force In-lbs	Input Radial Force In-lbs	Model Code	Input Power HP	Output Speed r/min	Output Torque In-lbs	Ratio i	Output Radial Force In-lbs	Input Radial Force In-lbs	
JRWND 30	0.54	233	160	7.5	149	33	JRWND 75	1.48	44	1947	40	1071	216	
	0.40	175	160	10	165	35		1.21	35	1858	50	1155	216	
	0.27	117	160	15	189	35		1.07	29	1770	60	1225	216	
	0.27	88	160	20	207	41		0.80	22	1681	80	1351	216	
	0.27	70	185	25	224	46		0.67	18	1593	100	1455	216	
	0.27	58	177	30	238	46		JRWND 90	8.45	233	2566	7.5	679	198
	0.13	44	160	40	262	46			6.84	175	2743	10	747	238
	0.13	35	151	50	282	46			5.50	117	3186	15	855	275
	0.13	29	142	60	299	46			4.16	88	3142	20	941	279
	0.13	22	115	80	330	46			3.22	70	3009	25	1014	279
JRWND 40	1.21	233	353	7.5	288	63	3.49		58	3628	30	1078	279	
	0.94	175	353	10	317	72	2.41		44	3186	40	1186	279	
	0.67	117	353	15	363	72	1.88		35	3009	50	1276	279	
	0.54	88	345	20	401	77	1.48		29	2832	60	1358	279	
	0.40	70	336	25	432	77	1.07		22	2522	80	1494	279	
	0.40	58	398	30	458	77	0.94	18	2390	100	1609	279		
	0.27	44	362	40	504	77	JRWND 110	16.09	233	4886	7.5	857	264	
	0.27	35	345	50	544	77		13.14	175	5293	10	943	321	
	0.27	29	318	60	579	77		10.06	117	5806	15	1080	352	
	0.13	22	292	80	637	77		7.51	88	5699	20	1188	374	
0.13	18	256	100	685	77	6.30		70	6010	25	1280	374		
JRWND 50	2.15	233	628	7.5	396	88		6.03	58	6417	30	1362	374	
	1.61	175	637	10	436	108		4.43	44	6213	40	1499	374	
	1.21	117	655	15	500	108		3.49	35	5842	50	1613	374	
	0.94	88	646	20	551	108		2.82	29	5452	60	1715	374	
	0.67	70	619	25	593	108		1.88	22	4558	80	1889	374	
	0.80	58	743	30	630	108	1.48	18	4275	100	2034	374		
	0.54	44	689	40	694	108	JRWND 130	21.59	233	6638	7.5	1122	330	
	0.40	35	647	50	747	108		18.10	175	7258	10	1234	405	
	0.40	29	601	60	795	108		13.81	117	8143	15	1413	456	
	0.27	22	575	80	875	108		10.46	88	8054	20	1556	462	
0.27	18	487	100	943	108	8.72		70	8231	25	1675	462		
JRWND 63	3.75	233	1133	7.5	518	110		8.58	58	9205	30	1781	462	
	2.95	175	1151	10	571	125		6.57	44	9293	40	1959	462	
	2.15	117	1239	15	654	134		5.10	35	8674	50	2112	462	
	1.61	88	1195	20	720	145		4.16	29	7966	60	2244	462	
	1.34	70	1151	25	776	154		3.08	22	7434	80	2471	462	
	1.48	58	1416	30	824	154	2.28	18	6549	100	2660	462		
	1.07	44	1283	40	908	154	JRWND 150	34.60	233	10621	7.5	1534	429	
	0.80	35	1194	50	978	154		27.09	175	10975	10	1688	498	
	0.67	29	1151	60	1038	154		18.64	117	11063	15	1933	502	
	0.54	22	1079	80	1144	154		14.89	88	11506	20	2127	588	
0.40	18	1044	100	1232	154	11.26		70	10621	25	2292	617		
JRWND 75	5.50	233	1637	7.5	612	154		9.52	58	10621	30	2436	617	
	4.29	175	1726	10	674	182		9.79	44	13719	40	2680	617	
	3.08	117	1770	15	771	187		7.24	35	12391	50	2888	617	
	2.55	88	1858	20	850	216		5.63	29	11151	60	3068	617	
	2.01	70	1770	25	917	216		4.16	22	10178	80	3377	617	
	JRWND 90	2.01	58	2036	30	974	216	3.08	18	8851	100	3637	617	



## Technical Specifications

**Double Reduction** (Flange Input, Input Speed is 1700r/min / 4 pole motor)

Model Code	Input Power HP	Output Speed r/min	Output Torque In-lbs	Ratio i	Output Radial Force In-lbs	Input Radial Force In-lbs	Model Code	Input Power HP	Output Speed r/min	Output Torque In-lbs	Ratio i	Output Radial Force In-lbs	Input Radial Force In-lbs
JRWNE 30/40	0.1	5.8	646	300	769	46	JRWNE 40/90	0.43	4.4	5399	400	1803	77
	0.1	4.4	575	400	769	46		0.34	3.5	4956	500	1803	77
	0.08	3.5	540	500	769	46		0.3	2.9	5399	600	1803	77
	0.06	2.9	646	600	769	46		0.23	2.3	4956	750	1803	77
	0.04	2.3	646	750	769	46		0.2	1.9	4470	900	1803	77
	0.03	1.9	646	900	769	46		0.2	1.5	5399	1200	1803	77
	0.02	1.5	575	1200	769	46		0.14	1.2	4956	1500	1803	77
	0.02	1.2	646	1500	769	46		0.11	1.0	4470	1800	1803	77
	0.02	1.0	646	1800	769	46		0.11	0.7	5399	2400	1803	77
	0.01	0.7	575	2400	769	46		0.1	0.6	4956	3000	1803	77
	0.01	0.5	575	3200	769	46		0.1	0.4	4071	4000	1803	77
	0.01	0.4	292	4000	769	46		0.1	0.4	3629	5000	1803	77
0.01	0.4	257	5000	769	46	JRWNE 50/110	1.1	5.8	11196	300	2275	108	
JRWNE 30/50	0.15	5.8	1283	300	1067		46	0.8	4.4	10488	400	2275	108
	0.1	4.4	1097	400	1067		46	0.61	3.5	9736	500	2275	108
	0.1	3.5	1062	500	1067		46	0.6	2.9	10488	600	2275	108
	0.1	2.9	1283	600	1067		46	0.5	2.3	11196	750	2275	108
	0.1	2.3	1283	750	1067		46	0.43	1.9	11196	900	2275	108
	0.1	1.9	1283	900	1067		46	0.31	1.5	10497	1200	2275	108
	0.08	1.5	1097	1200	1067		46	0.3	1.2	11196	1500	2275	108
	0.06	1.2	1283	1500	1067		46	0.3	1.0	11196	1800	2275	108
	0.04	1.0	1283	1800	1067		46	0.2	0.7	10488	2400	2275	108
	0.03	0.7	1097	2400	1067		46	0.15	0.6	9736	3000	2275	108
	0.02	0.6	1062	3000	1067		46	0.13	0.4	7249	4000	2275	108
	0.02	0.4	726	4000	1067	46	0.1	0.4	6603	5000	2275	108	
0.02	0.4	726	4800	1067	46	JRWNE 63/130	1.5	5.8	15577	300	2976	154	
JRWNE 30/63	0.24	5.8	2036	300	1382		46	1.1	4.4	14604	400	2976	154
	0.2	4.4	2036	400	1382		46	0.9	3.5	13719	500	2976	154
	0.2	3.5	1912	500	1382		46	0.8	2.9	14604	600	2976	154
	0.13	2.9	2036	600	1382		46	0.7	2.3	15577	750	2976	154
	0.11	2.3	1912	750	1382		46	0.6	1.9	15577	900	2976	154
	0.1	1.9	1752	900	1382		46	0.4	1.5	14604	1200	2976	154
	0.1	1.5	2036	1200	1382		46	0.4	1.2	15577	1500	2976	154
	0.1	1.2	1912	1500	1382		46	0.3	1.0	15577	1800	2976	154
	0.1	1.0	1752	1800	1382		46	0.3	0.7	14604	2400	2976	154
	0.1	0.7	2036	2400	1382		46	0.2	0.6	13719	3000	2976	154
	0.08	0.6	1912	3000	1382		46	0.1	0.4	10798	4000	2976	154
	0.06	0.4	1522	4000	1382	46	0.1	0.4	9736	5000	2976	154	
0.04	0.4	1328	5000	1382	46	JRWNE 63/150	3.4	11.7	20711	150	3968	154	
JRWNE 40/75	0.4	5.8	3452	300	1627		77	2.7	8.8	20711	200	3968	154
	0.3	4.4	3186	400	1627		77	1.9	7.0	18144	250	3968	154
	0.21	3.5	2832	500	1627		77	1.9	5.8	20711	300	3968	154
	0.2	2.9	3452	600	1627		77	1.8	4.4	23631	400	3968	154
	0.2	2.3	3452	750	1627		77	1.4	3.5	20622	500	3968	154
	0.14	1.9	3452	900	1627		77	1.3	2.9	23631	600	3968	154
	0.11	1.5	3186	1200	1627		77	1	2.3	20622	750	3968	154
	0.1	1.2	3452	1500	1627		77	0.7	1.9	18587	900	3968	154
	0.1	1.0	3452	1800	1627		77	0.7	1.5	23631	1200	3968	154
	0.1	0.7	3186	2400	1627		77	0.4	1.0	18587	1800	3968	154
	0.1	0.6	2832	3000	1627		77	0.5	0.7	23631	2400	3968	154
	0.08	0.4	2213	4000	1627	77	0.3	0.6	20622	3000	3968	154	
0.06	0.4	2036	5000	1627	77	0.2	0.4	16639	4000	3968	154		
JRWNE 40/90	0.6	5.8	5399	300	1803	77	0.2	0.4	14604	5000	3968	154	